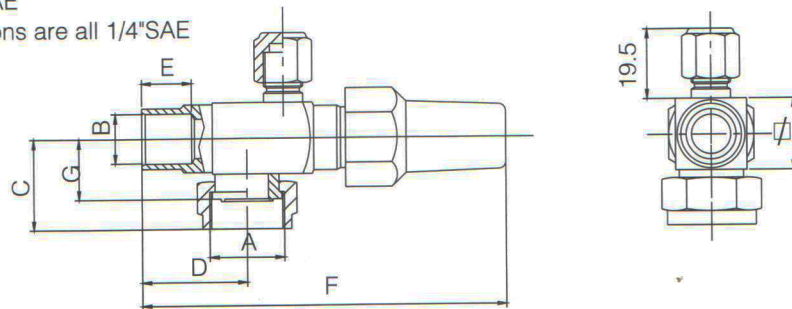


充注接头一律为1/4"SAE  
The charging connections are all 1/4"SAE



钎焊的旋转阀 ROTATING VALVES TO BE SOLDERED

种类 TYPE	尺寸	连接 A CONNECTION A		连接 B CONNECTION B		尺寸 DIMENSIONS mm					材料: 钢 MAT: STEEL
		螺纹 THREAD		ODS Ø mm Ø inches		C	D	E	F	G	代码 CODE
TJ DS *	19	L03	3/4" (16 UNF)	S 02	6	27	33.5	10	98.5	17.5	TJDS19L03S02
				S 03	1/4"	27	33.5	10	98.5	17.5	TJDS19L03S03
				S 05	3/8"	27	33.5	10	98.5	17.5	TJDS19L03S05
				S 06	10	27	33.5	10	98.5	17.5	TJDS19L03S06
	20	L10	1" (14 UNS)	S 05	3/8"	28	31	10	103	19.5	TJDS20L10S05
				S 06	10	28	31	10	103	19.5	TJDS20L10S06
				S 07	12	28	31	15	103	19.5	TJDS20L10S07
				S 08	1/2"	28	31	15	103	19.5	TJDS20L10S08
				S 11	5/8"	29	33	15	105	19.5	TJDS22L10S11
				S 12	16	29	33	15	105	19.5	TJDS22L10S12
				S 13	18	29	35	15	107	19.5	TJDS22L10S13
				S 14	3/4"	29	35	15	107	19.5	TJDS22L10S14
	22	L11	1 1/4" (12 UNF)	S 11	5/8"	30	33	15	105	21	TJDS22L11S11
				S 12	16	30	33	15	105	21	TJDS22L11S12
				S 13	18	33	49	20	145	24	TJDS28L11S13
				S 14	3/4"	33	49	20	145	24	TJDS28L11S14
				S 16	22	33	49	22.5	145	24	TJDS28L11S16
				S 17	7/8"	33	49	22.5	145	24	TJDS28L11S17
				S 21	28	33	49	20	145	24	TJDS28L11S21
				S 22	1 1/8"	33	49	20	145	24	TJDS28L11S22
	28	L13	1 3/4" (12 UN)	S 16	22	39	49	22.5	145	27.5	TJDS28L13S16
				S 17	7/8"	39	49	22.5	145	27.5	TJDS28L13S17
				S 21	28	42.5	55	25	176	31	TJDS35L13S21
				S 22	1 1/8"	42.5	55	25	176	31	TJDS35L13S22
				S 27	1 3/8"	42.5	60	25	181	31	TJDS35L13S27
				S 28	35	42.5	60	25	181	31	TJDS35L13S28