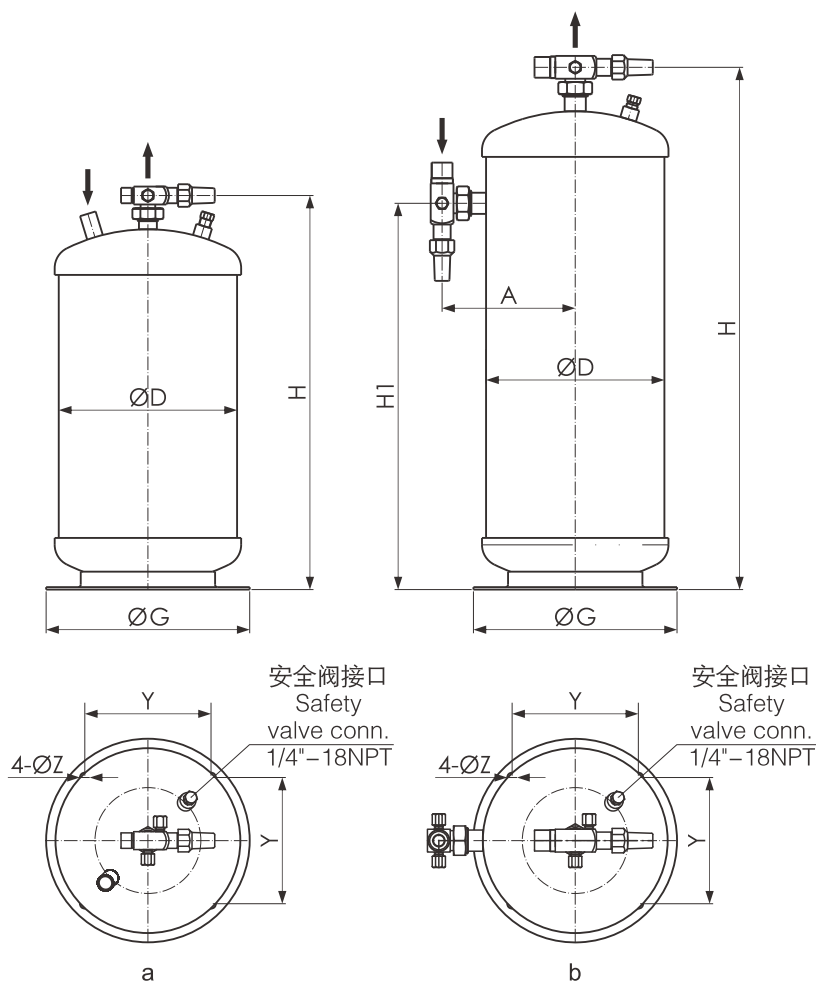


L系列立式储液器进口为ODF（钎焊）碳钢接口，出口装有截止阀。L-19、L-23、L-29三个型号进/出口均装有截止阀。所有型号均设计一个1/4"-18NPT安全阀接口。

- 设计压力：2.9 MPa；
- 适用制冷剂：R134a、R22、R407C、R404A、R507A。

The inlet of L series vertical liquid receiver is ODF(soldering) carbon steel connection. The outlet is assembled with cut-off valve. But both of the inlet and outlet of L-19、L-23、L-29 are assembled with cut-off valves. All the models are designed with 1/4"-18NPT safety valve connection.

- The design pressure: 2.9MPa;
- Applicative refrigerants: R134a、R22、R407C、R404A、R507A.



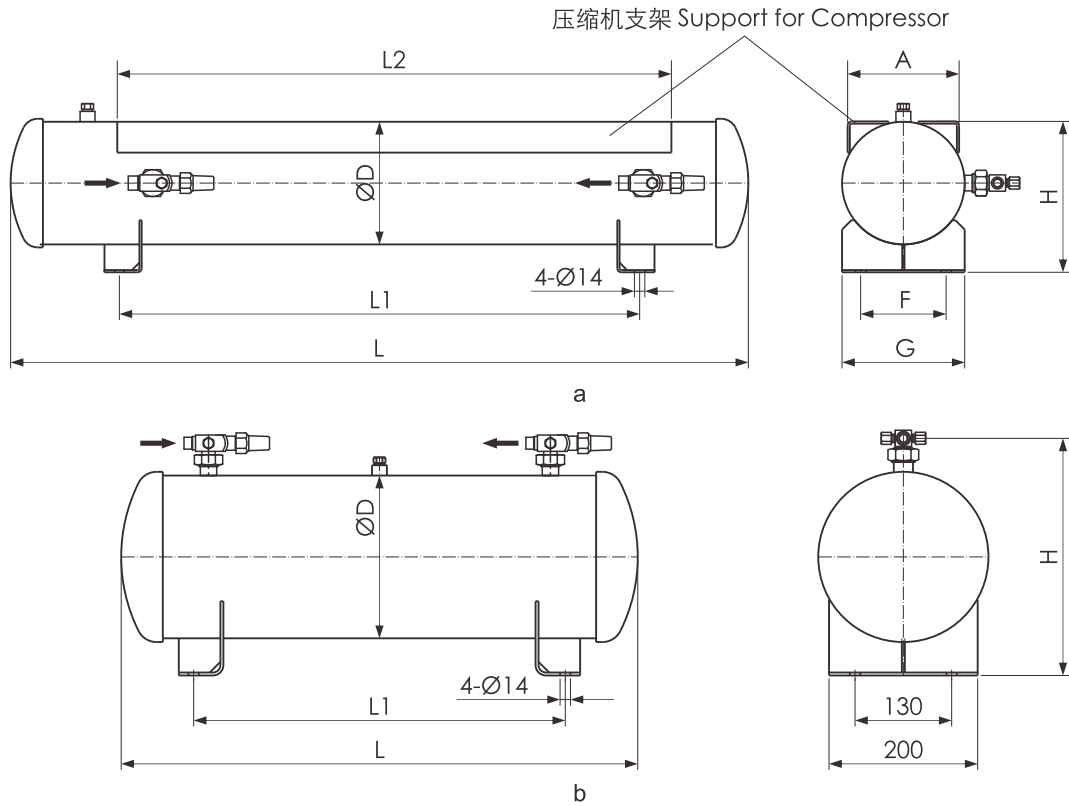
型号 Model	ØD (mm)	H (mm)	H1 (mm)	A (mm)	ØG (mm)	Y (mm)	ØZ (mm)	进口 Inlet (ODF)	出口 Outlet (ODF)	容积 Volume (l)	图例 Fig.
L-4	165	290	---	---	190	120	9.0	3/8"	3/8"	4	a
L-6	165	390	---	---	190	120	9.0	1/2"	1/2"	6	a
L-8	165	490	---	---	190	120	9.0	1/2"	1/2"	8	a
L-10	219	369	---	---	250	155	12	5/8"	5/8"	10	a
L-12	219	429	---	---	250	155	12	5/8"	5/8"	12	a
L-14	219	484	---	---	250	155	12	5/8"	5/8"	14	a
L-19	219	641	474	164	250	155	12	7/8"	7/8"	19	b
L-23	219	756	589	164	250	155	12	7/8"	7/8"	23	b
L-29	273	643	464	191	296	193	13	7/8"	7/8"	29	b

W系列卧式储液器进/出口均装有截止阀，设计了一个安全阀接口（1/4"-18 NPT）。

- 设计压力：2.9 Mpa；
- 适用制冷剂：R134a、R22、R407C、R404A、R507A。

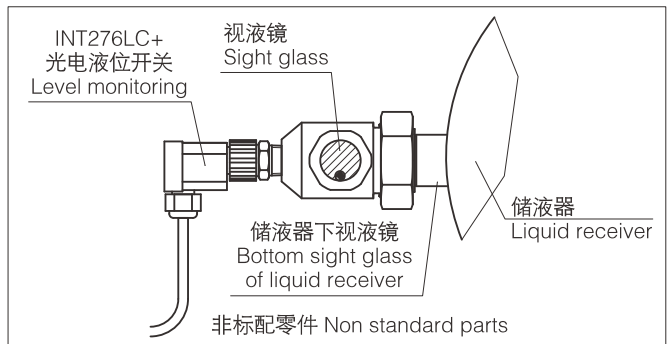
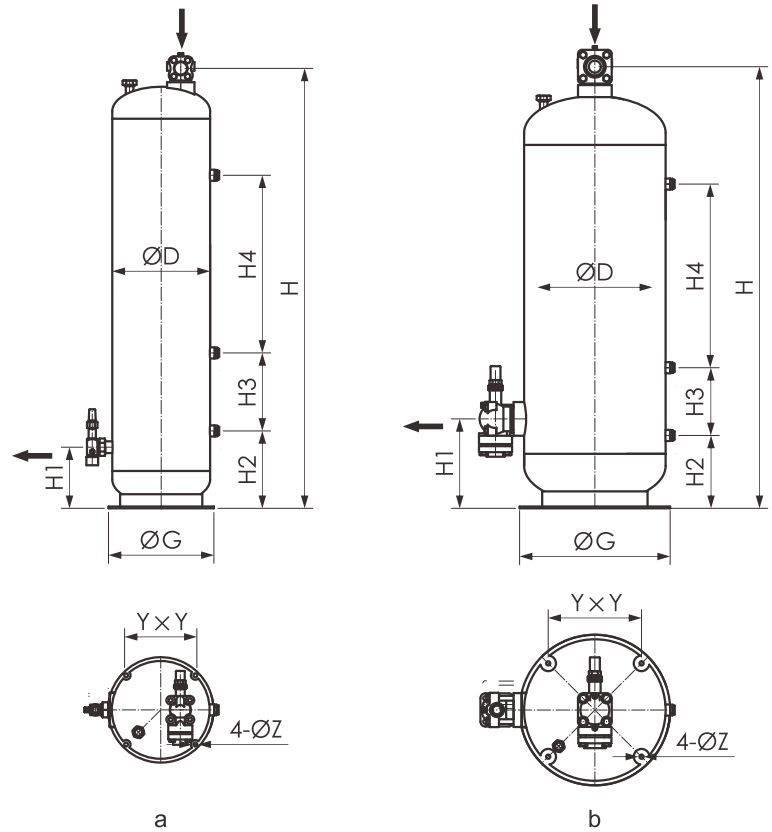
The inlet and outlet of W series horizontal liquid receiver are assembled with cut-off valves. All the models are designed with 1/4"-18NPT safety valve connection.

- The design pressure: 2.9MPa;
- Applicative refrigerants: R134a、R22、R407C、R404A、R507A.



型号 Model	ØD (mm)	L (mm)	L1 (mm)	L2 (mm)	H (mm)	A (mm)	G (mm)	F (mm)	进口 Inlet (ODF)	出口 Outlet (ODF)	容积 Volume (l)	图例 Fig.
W-14	165	743	460	496	203	150	165	115	1/2"	1/2"	14	a
W-16	165	843	640	596	203	150	165	115	5/8"	5/8"	16	a
W-19	165	993	700	746	203	150	165	115	5/8"	5/8"	19	a
W-23	165	1203	945	956	203	150	165	115	7/8"	7/8"	23	a
W-29	219	865	625	600	269	190	200	130	7/8"	7/8"	29	a
W2-14	219	436	220	-	310	-	200	130	1/2"	1/2"	14	b
W2-16	219	495	280	-	310	-	200	130	5/8"	5/8"	16	b
W2-19	219	580	360	-	310	-	200	130	5/8"	5/8"	19	b
W2-23	219	695	500	-	319	-	200	130	7/8"	7/8"	23	b
W2-29	219	865	625	-	328	-	200	130	7/8"	7/8"	29	b

- 储液器上带有进口截止阀，出口截止阀；
- 设计安装了上，中，下三个视液镜，方便观察液位；
- 可根据客户的要求加装低液位报警器；
- 设计压力：2.9 MPa；
- 适用制冷剂：R134a、R22、R407C、R404A、R507A。
- The liquid receiver is assembled with inlet cut-off valve and outlet cut-off valve;
- It is designed with 3 pieces of sight glasses which are located on top and center and bottom, with the sight glasses you can observe the liquid level expediently;
- It can be assembled low-liquid level alarm indicator to the liquid receiver according to customers' requirements.
- The design pressure: 2.9 MPa;
- Applicative refrigerants: R134a、R22、R407C、R404A、R507A.



型号 Model	ØD (mm)	H (mm)	H1 (mm)	H2 (mm)	H3 (mm)	H4 (mm)	Y (mm)	ØG (mm)	ØZ (mm)	进口 Inlet (Inch)	出口 Outlet (Inch)	容积 Volume (l)	图例 Fig.
E1L-40L	219	1256	159	163	259	525	155	250	12	1-1/8"	7/8"	40	a
E1L-60L	273	1233	179	179	242	520	193	296	12	1-3/8"	1-1/8"	60	a
E1L-80L	325	1202	203	199	317	330	230	350	13	1-5/8"	1-3/8"	80	a
E1L-100L	325	1462	203	199	317	590	230	350	13	1-5/8"	1-3/8"	100	a
E1L-150L	377	1656	257	215	372	652	267	410	13	2-1/8"	1-5/8"	150	b
E1L-200L	462	1467	297	245	230	600	327	490	14	2-5/8"	2-1/8"	200	b
E1L-250L	512	1494	305	251	233	616	360	540	18	2-5/8"	2-1/8"	250	b
E1L-300L	562	1502	390	262	237	600	390	590	18	3-1/8"	2-5/8"	300	b
E1L-500L	612	2011	406	279	237	975	425	640	18	3-1/8"	2-5/8"	500	b