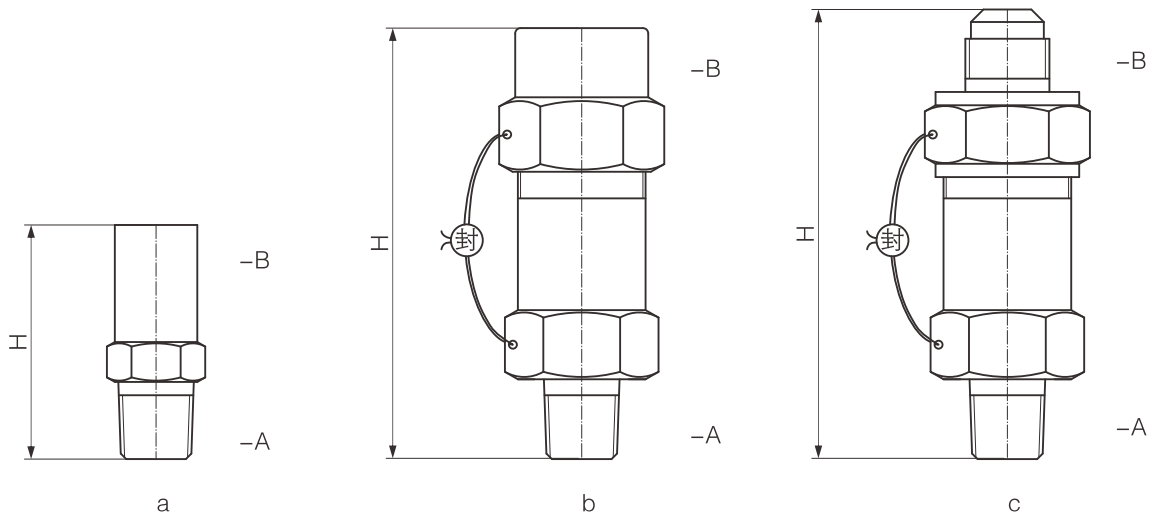


- 适用制冷剂：CFC，HCFC，HFC
- 运行温度范围；-40℃ ~ 150℃
- 整定压力：法斯克标准产品和根据客户要求订制。
- Applicative refrigerants: CFC, HCFC, HFC
- Running temperature: -40℃ ~ 150℃
- Set-pressure: O&F standard products and also can be manufactured as customers' requirements.



型号 Model	喉径 (流通直径) Throat diameter (Flow diameter) (mm)	H (mm)	阀体六角尺寸 Valve body Six angle size (mm)	A (进口接口形式) (Inlet form)	B (出口接口形式) (Outlet form)	图例 Fig.
FV04-A100	Ø4	40	S16	1/8" MNPT	无螺纹 No Thread	a
FV04-A200	Ø4	44	S16	1/4" MNPT	无螺纹 No Thread	a
FV06-A2B2	Ø6	81	S25	1/4" MNPT	1/4" FNPT	b
FV06-A2S3	Ø6	84	S25	1/4" MNPT	3/8" MSAE	c
FV08-A3B3	Ø8	83	S25	3/8" MNPT	3/8" FNPT	b
FV08-A3S3	Ø8	87	S25	3/8" MNPT	3/8" MSAE	c
FV11-A4B4	Ø11	104	S32	1/2" MNPT	1/2" FNPT	b
FV11-A4S4	Ø11	113	S32	1/2" MNPT	1/2" MSAE	c
FV11-A6B6	Ø11	108	S32	3/4" MNPT	3/4" FNPT	b
FV18-A8B8	Ø18	121	S48	1" MNPT	1" FNPT	b

法斯克标准整定压力：O&F standard set-pressure

- 1、235 psig 2、300 psig 3、350 psig 4、400 psig 5、425 psig 6、450 psig
 7、1.7 MPa 8、2.1 MPa 9、2.4 MPa 10、2.8 MPa 11、2.9 MPa 12、3.1 MPa