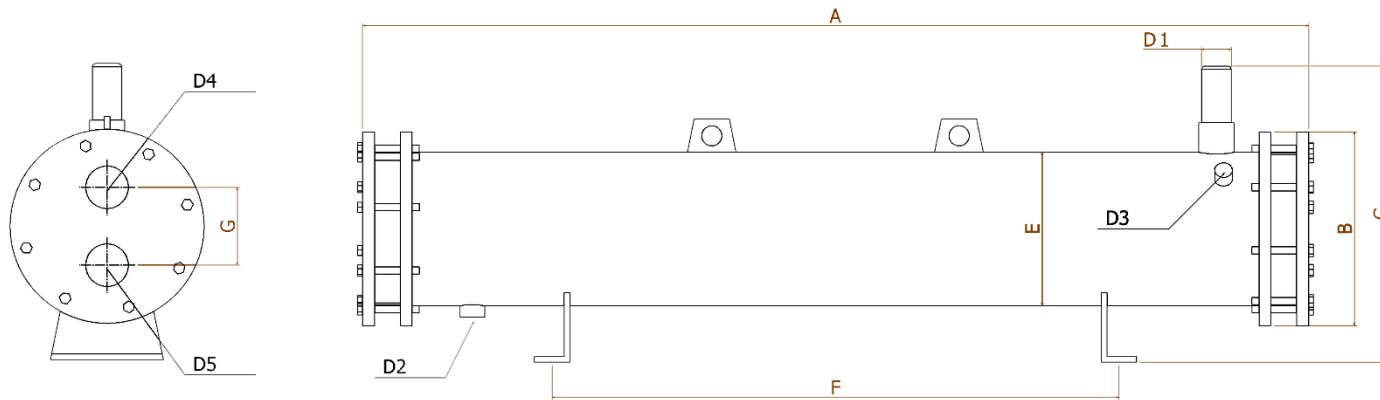


MODEL	KW	A	B	C	E	F	G	D1	D2	D3	D4	D5	Q	wv	rv
		cm	cm	cm	mm	cm	cm	inch	inch	inch	inch	inch	l/s	lit	lit
SWCN3T	12	65	20	25	138	30	6	7/8	R5/8	1/2	1		0.5	2.5	4
SWCN5T	20	90	24	30	168	40	8	1 1/8	R5/8	1/2	1 1/4		1	4	10
SWCN8T	31	90	24	30	168	40	8	1 1/8	R5/8	1/2	1 1/4		1.5	5	8.5
SWCN10T	35	110	24	30	168	55	8	1 1/8	R5/8	1/2	1 1/4		2	6	11
SWCN15T	53	110	29	45	215	55	12	1 3/8	R7/8	V.3/4	2		2.8	9	21
SWCN20T	70	135	29	45	215	65	12	1 3/8	R7/8	V.3/4	2		3.5	12	25
SWCN25T	86	135	29	45	215	65	12	1 3/8	R7/8	V.3/4	2 1/2		4.3	15	23
SWCN30T	115	135	34	50	273	65	14	1 5/8	R7/8	V.3/4	2 1/2		5.4	17	41
SWCN35T	130	135	34	50	273	90	14	1 5/8	R7/8	V.3/4	2 1/2		6.4	19	38
SWCN40T	157	135	34	50	273	90	14	1 5/8	R7/8	V.3/4	2 1/2		7.5	22	37
SWCN50T	190	170	34	50	273	90	14	2 1/8	R1 1/8	V.3/4	2 1/2		9	28	49
SWCN60T	218	170	39	55	323	90	16	2 1/8	R1 1/8	V.3/4	4		10.5	32	72
SWCN70T	257	170	39	55	323	90	16	2 1/8	R1 1/8	V.3/4	4		12.3	37	65
SWCN80T	275	215	39	55	323	130	16	2 5/8	R1 3/8	V.3/4	4		13.1	42	93
SWCN90T	321	215	39	55	323	130	16	2 5/8	R1 3/8	V.3/4	4		15.6	46	88
SWCN100T	365	250	39	55	323	150	16	2 5/8	R1 3/8	V.3/4	4		17.4	52	106



Water.T	25 °C in	30°C out
Cond.T	40 °C	
Fouling	0.000086 m2k/w	
velocity	1.3 ~ 3 m/s	
Testing pressure	450 psi	30 bar
rv	Refrigerant volume	حجم مبرد
wv	Water volume	حجم آب
Q	Water flow rate	دبی آب
D2=R	Rotalock valve	شیر تخلیه
D3=V.3/4	Relief valve	شیر اطمینان